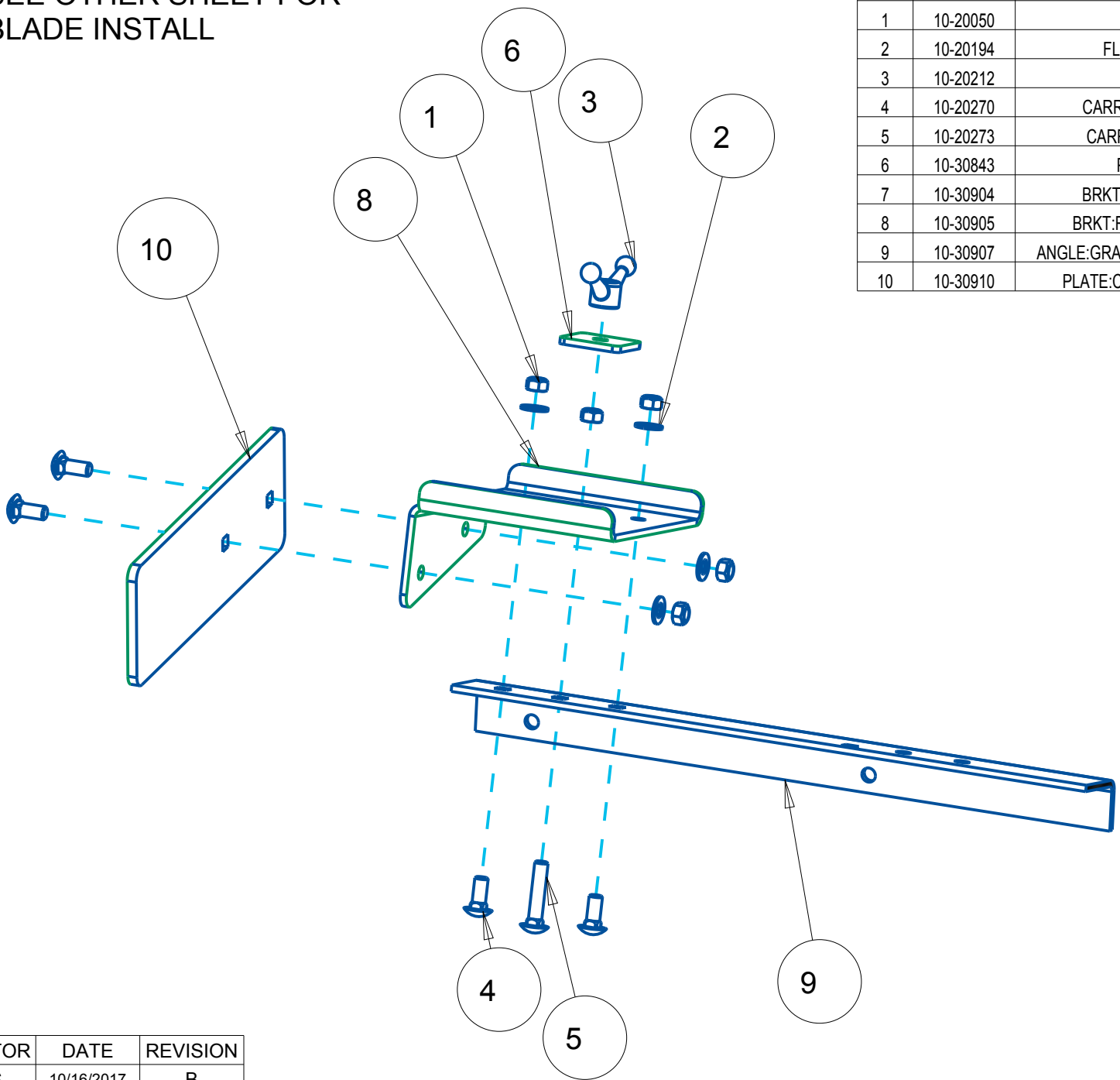


RASCAL MINI-BOX BLADE END KIT INSTRUCTION SHEET

SEE OTHER SHEET FOR
BLADE INSTALL

ITEM	PART #	DESCRIPTION	QTY
1	10-20050	1/2-13 TOP LKGRC	10
2	10-20194	FLT WSHR:1/2 SAE: CL ZINC	8
3	10-20212	WING NUT:1/2"-13:ZINC	2
4	10-20270	CARR BOLT:1/2-13 1.25":ZINC GR5	8
5	10-20273	CARR BOLT:1/2-13 2.5":ZINC GR5	2
6	10-30843	PLATE:T-CLAMP:FORCE	2
7	10-30904	BRKT:LH FRM END:GRADING BOX	1
8	10-30905	BRKT:RH FRM END:GRADING BLADE	1
9	10-30907	ANGLE:GRADE BLADE FRM:5.5RASCAL FORCE	1
10	10-30910	PLATE:CONTAINMENT:RASCAL FORCE	2



RH SIDE ASSEMBLY
SHOWN



www.abiattachments.com
877-788-7253

CREATOR	DATE	REVISION
NLS	10/16/2017	B