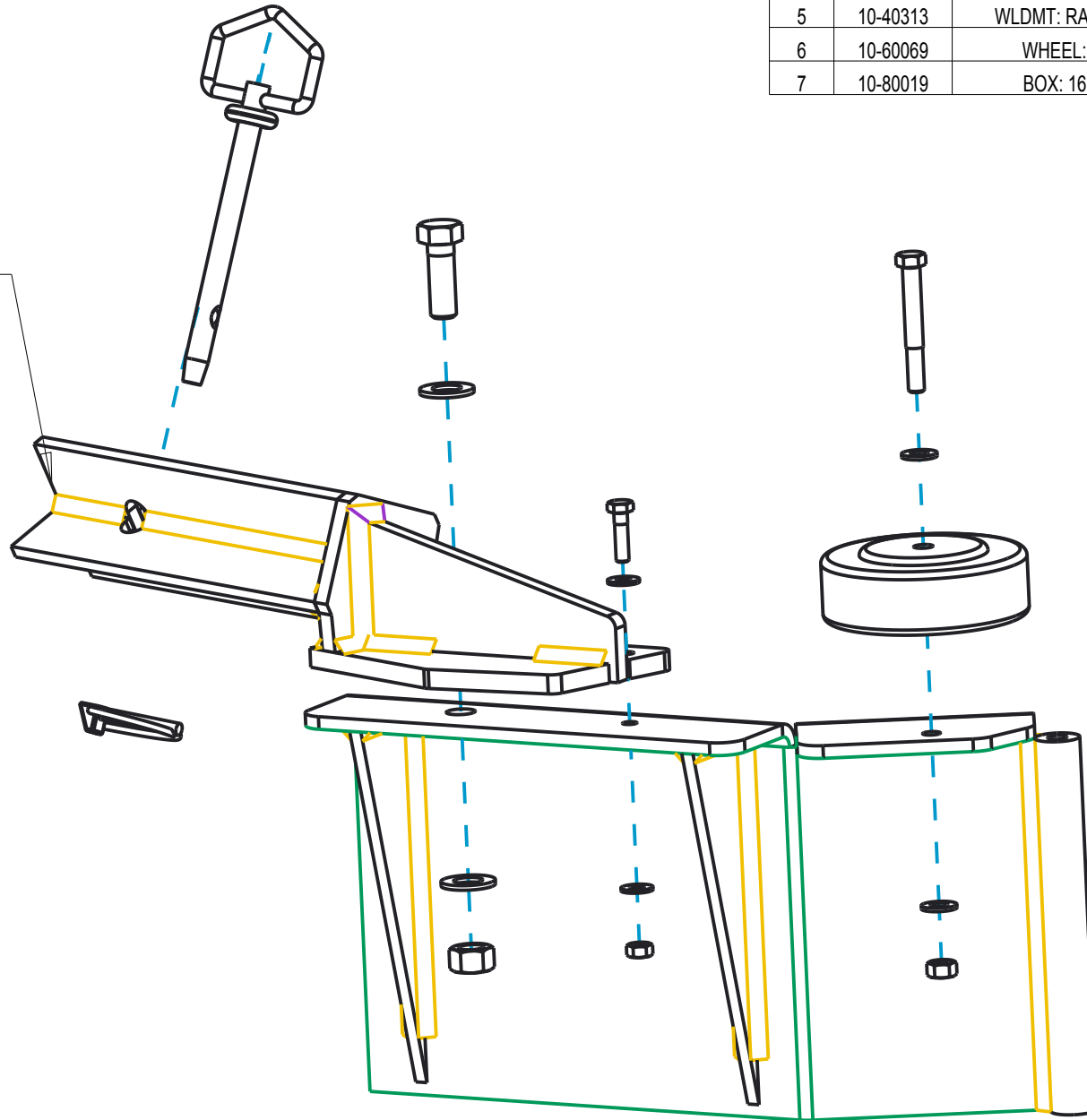


TR3-E RAIL BLADE INSTRUCTION SHEET

PN 10-90266

ITEM	PART #	DESCRIPTION	QTY
1	10-20230	HITCH PIN:1/2" X 5":ZINC	1
2	10-20232	LYNCH PIN:1/4"X1.25":ZINC	1
3	10-20339	KIT: TR3 E RAIL BLADE HARDWARE	1
4	10-40300	WLDMT: RAIL BLADE RIGHT: RASCAL	1
5	10-40313	WLDMT: RAIL BLADE ARM X BRACE: TR3 E	1
6	10-60069	WHEEL: RAIL BLADE: TR3E RASCAL	1
7	10-80019	BOX: 16 1/2 x 11 x 3 5PF 32#C PLAIN	1

INSERT INTO
FRAME TUBE
OF TR3 E



abi
ATTACHMENTS

www.abiattachments.com
877-788-7253

CREATOR	DATE	REVISION	PN
NLS	10-03-19	A	10-10876