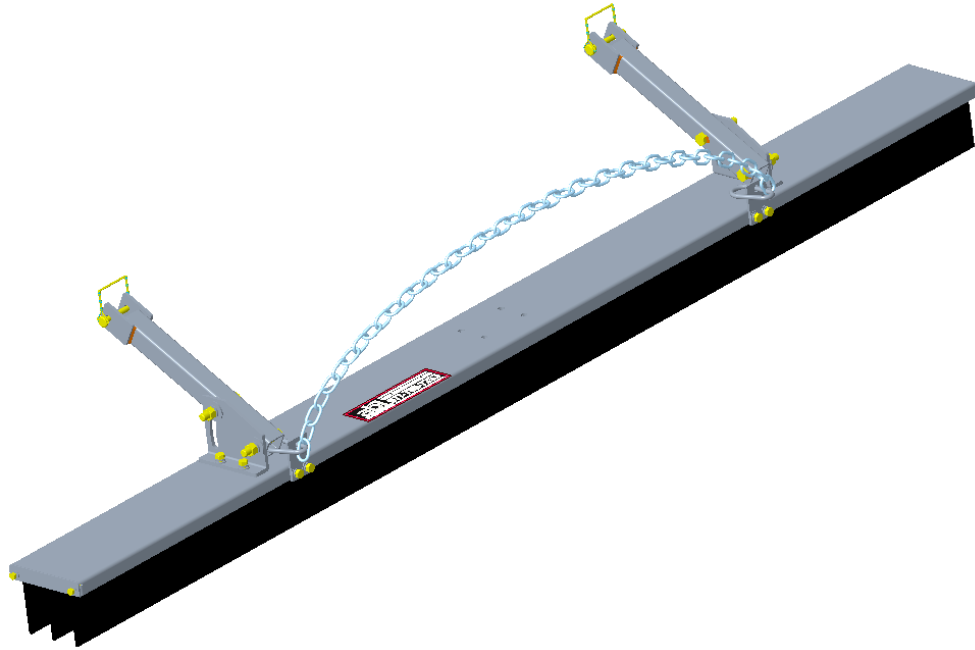


abiSPORTS TURF®



ASSEMBLY INSTRUCTIONS FOR THE RASCAL AND FORCE Z-18

FINE FINISH BROOM

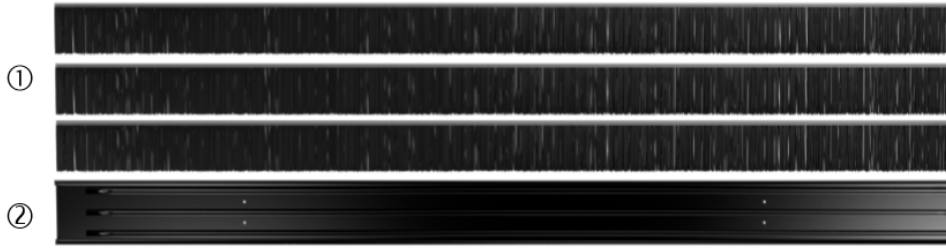
INFIELD
RASCAL

abiFORCE™

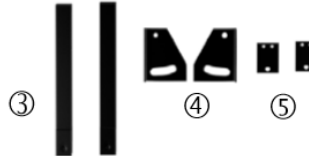
ABI Attachments, Inc – 520 S. Byrkit Ave, Mishawaka, Indiana 46544

(877) 788-7253

PARTS INCLUDED



- ① BRISTLE SECTIONS
- ② BROOM FRAME
- ③ ADJUSTMENT BARS
- ④ ADJUSTMENT BRACKETS
- ⑤ FLAT PLATES



HARDWARE INCLUDED

- (2) 1/4-20 BOLTS
- (8) 3/8-16 BOLTS
- (2) 1/4" LOCKWASHERS
- (8) 3/8" LOCKWASHERS
- (4) 1/2" LOCKWASHERS
- (2) 1/4" WASHERS
- (8) 3/8" WASHERS
- (4) 1/2" WASHERS
- (4) 1/2-13 NUTS

TOOLS NEEDED

- 7/16" WRENCH OR SOCKET
- 9/16" WRENCH OR SOCKET
- 3/4" WRENCH OR SOCKET
- (OPTIONAL) RUBBER MALLET



NOTE: KEEP ALL HANDS AND FEET CLEAR DURING USE.

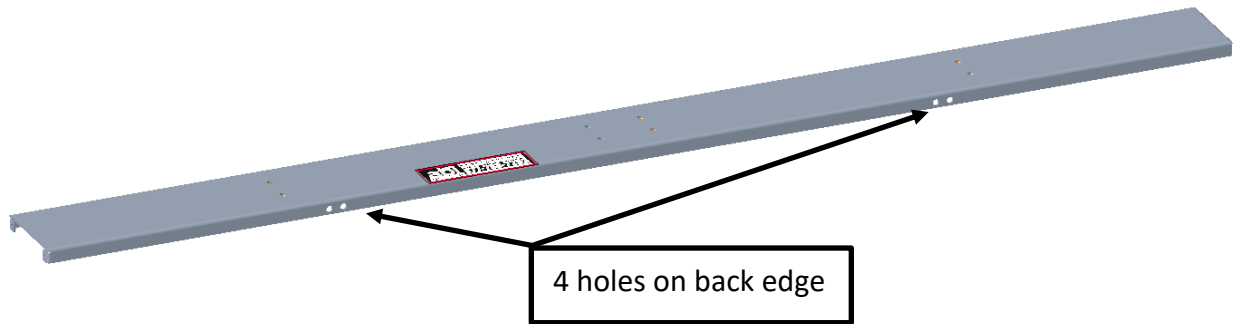


NOTE: REFER TO THE DOCUMENTATION INCLUDED WITH YOUR INFIELD RASCAL® OR ABI FORCE™ FOR PROPER USE, ATTACHMENT INSTRUCTIONS, AND SAFETY PRECAUTIONS!



CAUTION: AN IMPROPERLY COUPLED TOOL CAN RESULT IN DAMAGE OR SERIOUS INJURY.

- 1) Unbox your fine finish broom and ensure you have all the parts on the list included. Locate the front and back edge of the main broom frame: the back of the frame has 4 holes drilled into it for attaching flat brackets, whereas the front of the frame has none.



- 2) On the broom frame, locate the end cap with loosened hardware (nut and washers). Remove the hardware and end cap with a wrench (or your fingers) and set aside. [fig. A]

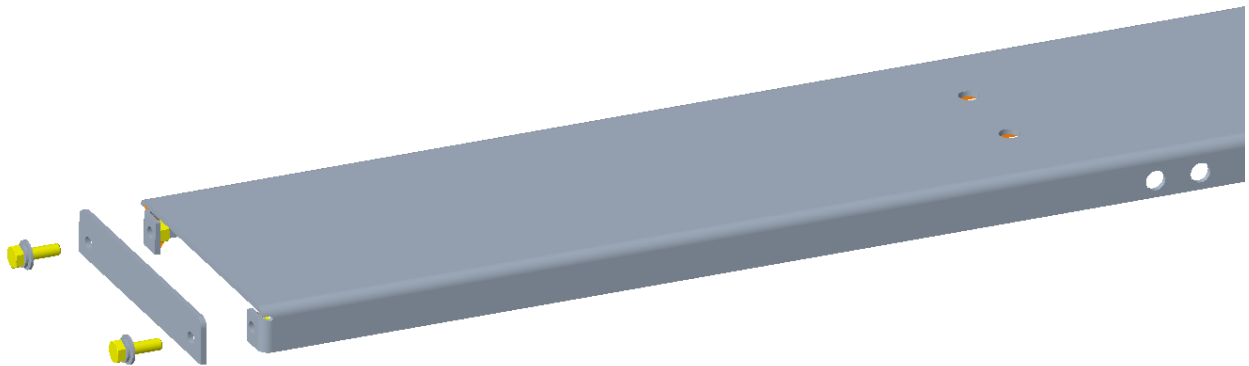


Fig A

- 3) On the top of the broom frame, align L-shaped adjustment brackets with the corresponding holes. The short legs of the L-shaped brackets face the outside of the broom frame! The long adjustable hole faces the front of the tool (the front of the broom frame DOES NOT have any holes drilled into its lip). Attach both brackets by threading a bolt and through a lockwasher, flat washer, the bracket, broom frame, into a nut welded on the back side of the broom frame. Tighten with a socket or wrench once all hardware has been threaded. [fig. B]
- 4) Install adjustment arms onto adjustment brackets by inserting welded bolts through each hole in the adjustment brackets. The adjustment arms are attached to the INSIDE of each adjustment bracket. Secure loosely with a large flat washer, lockwasher and nut. NOTE: Do not over-tighten the adjustment arms! [fig. B]
- 5) Attach both flat plates to the back side of the broom frame, threading a bolt through a lockwasher, flat washer and broom frame into a nut welded on the backside of broom frame. Tighten with a wrench or socket. [fig. B]

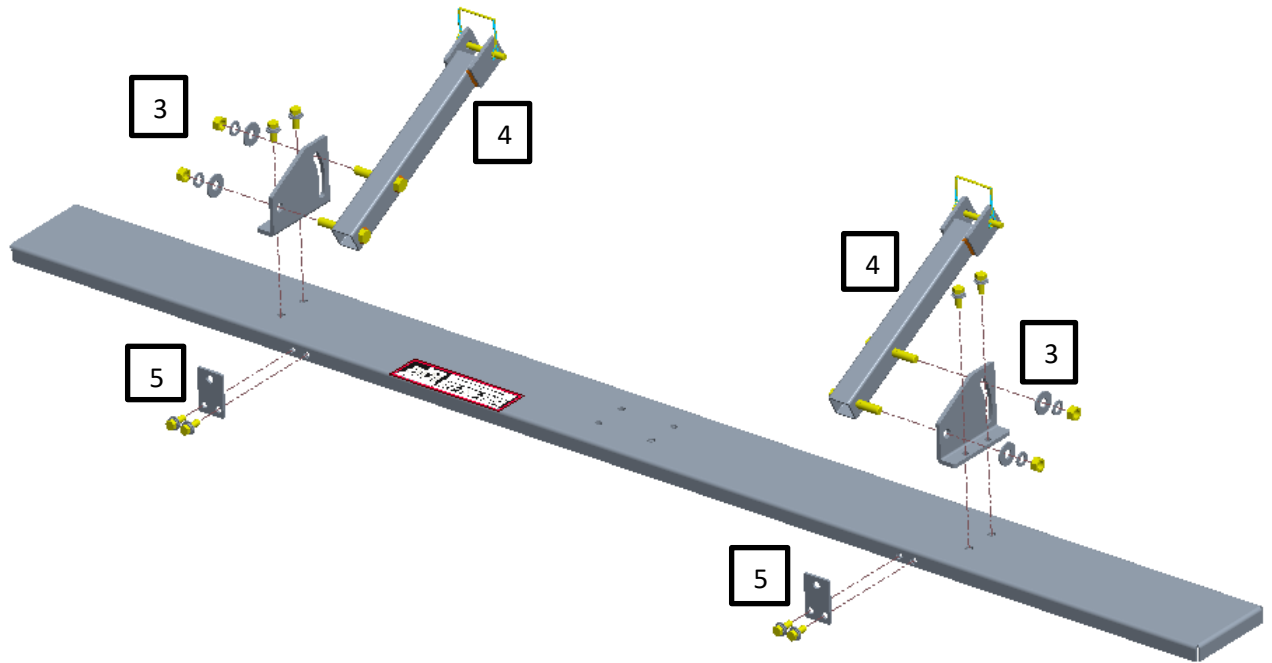


Fig B

- 6) Flip broom frame over so the bristle channels are facing up. Carefully insert each bristle piece into each channel. The fit is intentionally snug. OPTIONAL: gently tap each bristle piece with a rubber mallet to fully secure. [fig. C]

DO NOT pound bristles in with your hand. The metal bristle cap may cut you!

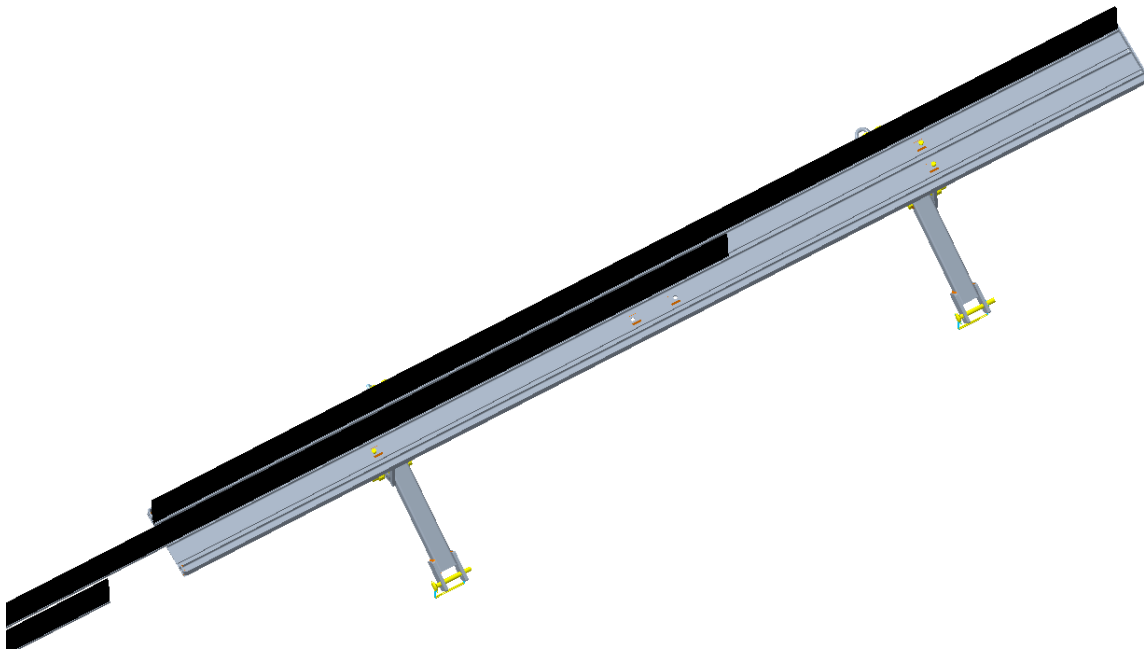


Fig C

- 7) Once all bristle pieces are fully inserted, replace the broom frame end cap with the hardware it was originally attached with. Tighten carefully, and make sure the cap fits flush to the end. [fig. D]

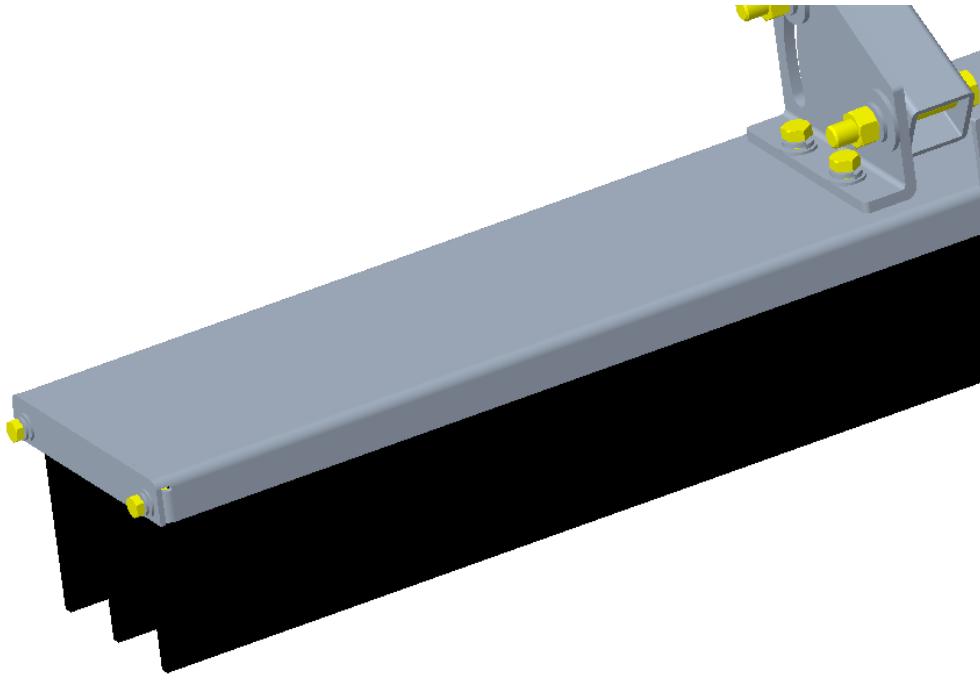


Fig D

- 8) Attach the hanging chain to the flat plates on the back of the unit using the supplied clips. [fig. E]

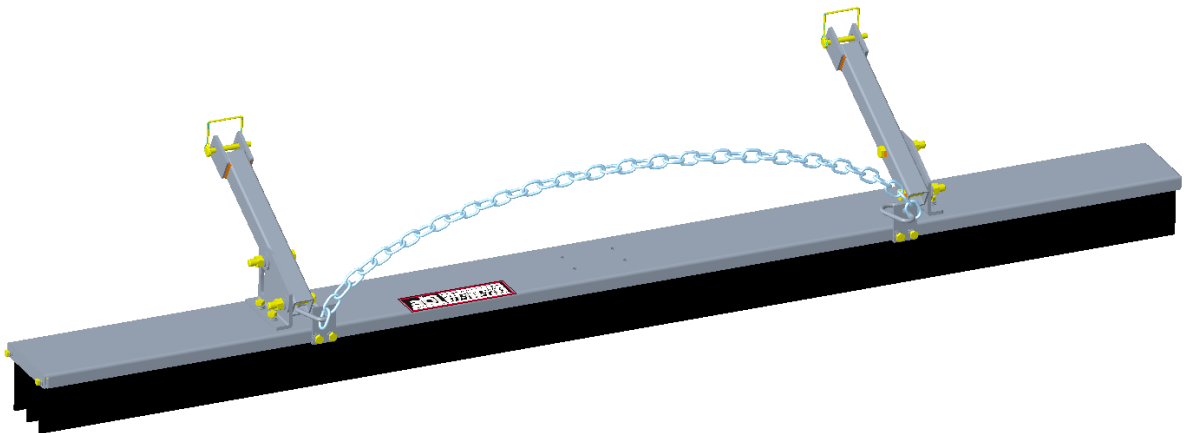


Fig E

***Congratulations! Your ABI® Fine Finish Broom is ready to use on your ABI® product!
Remember to refer to your tool's documentation for proper use and safety guidelines!***